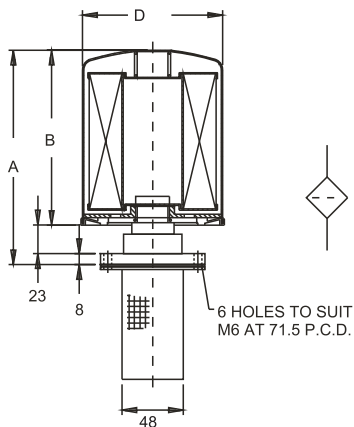


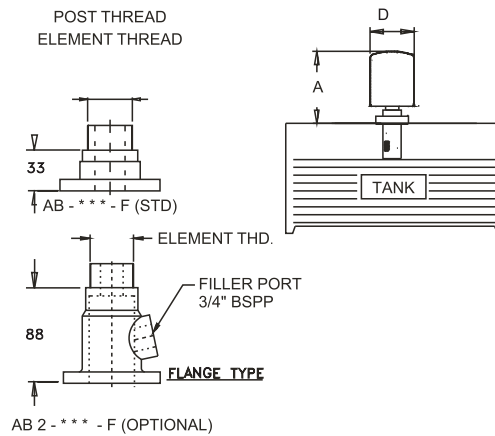
BREATHER - SPIN ON

- EASILY REPLACEBLE SPIN ON ELEMENT
- CAST ALUMINIUM HOUSING
- EXCELLENT ALTERNATIVE TO STANDARD BREATHER
- MOUNTS ON STANDARD 71.5 MM P.C.D.
- FLANGE AND SCREW TYPE MOUNTING
- FILTRATION TO 10 & 25 MICRON LEVEL
- FOR DUSTY AMBIENT CONDITION e.g. MINING, CONSTRUCTION etc.

AB SPIN ON BREATHER

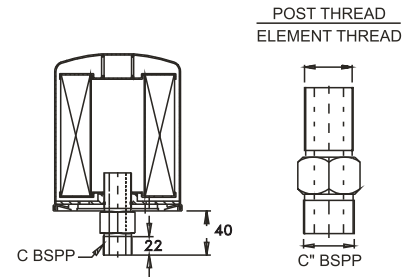


FLANGE TYPE



AB 2 - *** - F (OPTIONAL)

FLANGE ADAPTER



THREADED TYPE

AB - *** - S(STD)
THD. ADAPTER

MODEL CODE: FLANGE ADAPTER

MODEL	AIR FLOW	FILTRATION	A	B	C	D f	WT
	LPM	m MICRONS					
AB 20 . 10	1500	10	173	142	3/4"	96	1.00
AB 20 . 25	2000	25	173	142	3/4"	96	1.00
AB 50 . 10	2600	10	211	180	1 - 1/4"	129	1.60
AB 50 . 25	3000	25	211	180	1 - 1/4"	129	1.60

AB	-20	B	- F
SERIES	SIZE	POST THD	TYPE
AB	20	B-BSPP	F-FLANGE
AB2	50	U-UNF	S-THD

MODEL CODE : ASSEMBLY

AB	-20	-10	U	-F
SERIES	SIZE	FILTRATION	THREADS	MOUNTING
		m MICRON	POST	TYPE
AB	20	10	B - BSPP(STD) U - UNF (STD)	F - FLANGE
AB2	50	25	B - BSPP (STD)	S - SCREW

MODEL CODE : ELEMENT

S / E	-20	-10	-U
SERIES	SIZE	FILTRATION	THREADS
		m MICRONS	POST
S/E	20	10	B - 3/4" BSPP (OPTIONAL) U - 1" UNF (STD)
IFE	50	25	B - 1-1/4" BSPP (STD)

OPTIONAL / SPECIAL FEATURE - OMIT IF NOT REQUIRED.