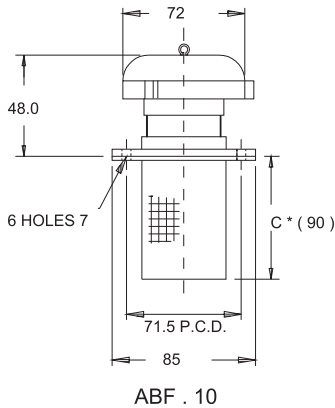
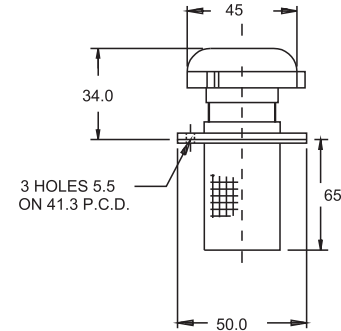
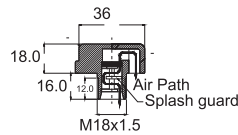
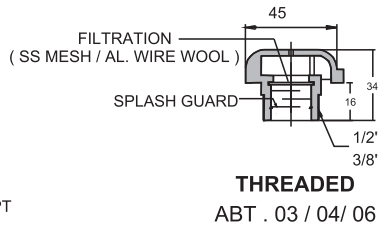
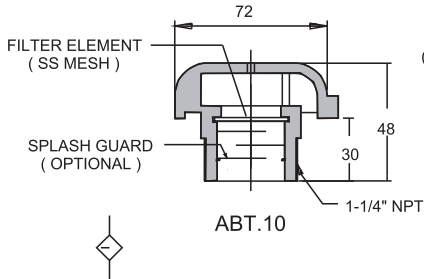


BREATHER

- STURDY ALUMINIUM DIE CAST CONSTRUCTION
- FILTRATION S.S. 100 MESH STANDARD
- FOR RUGGED APPLICATION
- METAL STRAINER STANDARD SUPPLY
- GASKET AND MOUNTING HARDWARE SUPPLIED
- OPTIONAL SPLASH GUARD TO MINIMISE SPILLAGE

ABT DIE CAST BREATHER



AB T	- 10	N	- * *	- * *
SERIES	SIZE	THREADS	FEATURE	STRAINER
	INCH		SPECIAL #	C * OPTIONAL
T - THREADED	03 - 3/8"	N - NPT B - BSPP	NV - NON VENTING SG - SPLASH GUARD	L 6 - 152 M M L 8 - 203 M M
AB	04 - 1/2"			
F - FLANGE	10 - 1-1/4"			

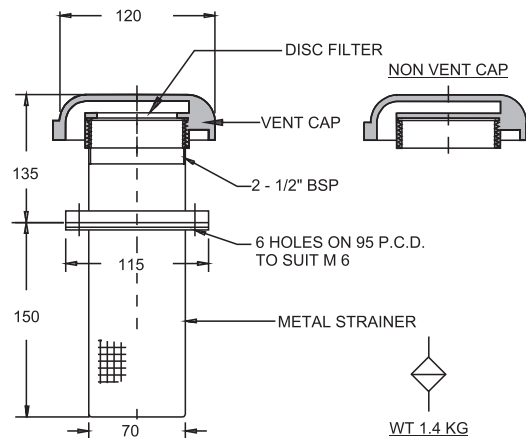
HIGH NECK

- SUITABLE FOR GEN SETS / MOBILE APPLICATION

MODEL CODE : ASSEMBLY

FSB	60	H N	* *
SERIES	SIZE	TYPE	FEATURE
	CFM		OPTIONAL #
F S B	60	HN - HIGH NECK	NV - NON VENTING

OPTIONAL / SPECIAL FEATURE - OMIT IF NOT REQUIRED



FSB - 60

WT 1.4 KG