

# BREATHER

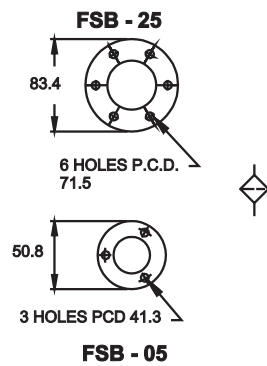
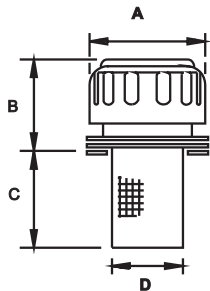


- CHROME PLATED STEEL CAP - VENTS UNDERNEATH
- FILTRATION 40 MICRONS STANDARD / OPTIONAL 10 MICRONS
- AIR FLOWS TO 25 CFM ( 750 LPM )
- RUGGED CAST ALUMINIUM HOUSING ( FOR BM MODEL )
- METAL STRAINER - STANDARD
- HARDWARE INCLUDES GASKET

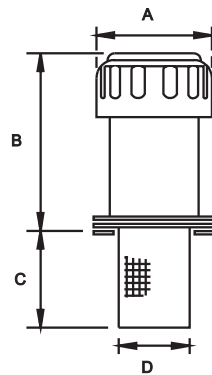
FSB FILLER BREATHER



## FLANGE TYPE

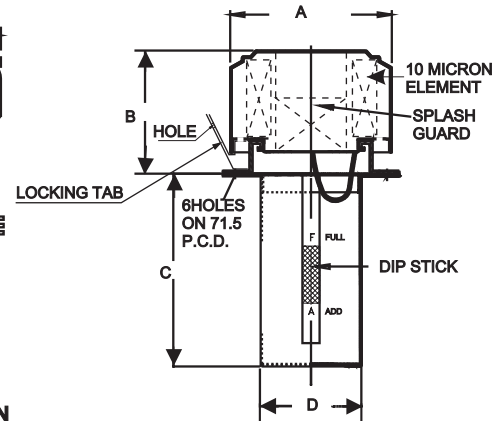


## FLANGE TYPE HIGH NECK

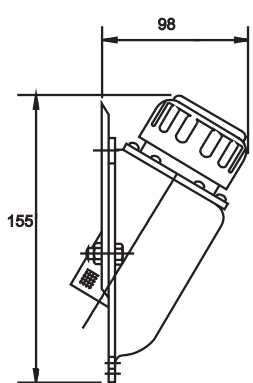


FSB-25 HN

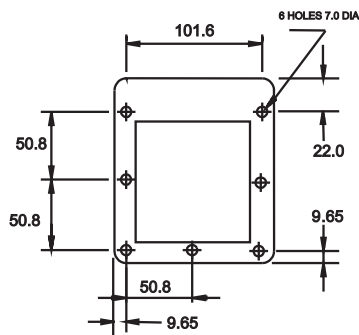
## OPTIONAL FEATURES



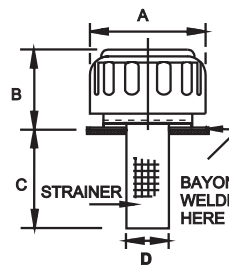
## SIDE MOUNT



FSB - 25 BM

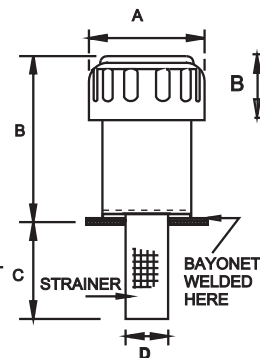


## WELD TYPE



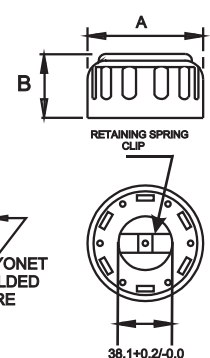
FSBW - 25

## WELD TYPE HIGH NECK



FSBW - 25 HN

## PUSH ON TYPE



PB-25

# OPTIONAL / SPECIAL FEATURE ( CONSULT FACTORY ) - OMIT IF NOT REQUIRED

DIMENSIONS IN MM FOR REFERENCE ONLY

# BREATHER



MODEL	DISPLACEMENT		RATING	A	B	C	D	WT KGS
			MICRONS					
FSB - 05	150	LPM	40					
				45	49	65	28	0.10
FSB - 05 - 0	90	LPM	10					
FSB - 25	720	LPM	40	77	62	91	48	0.25
FSB - 25 - 0	400	LPM	10	77	62	91	48	0.25
FSBW - 25	720	LPM	40	77	62	91	30	0.25
FSB - 25-HN	720	LPM	40	77	122	91	48	0.40
FSBW - 25-HN	720	LPM	40	77	122	91	30	0.40
PB - 25	720	LPM	40	77	50	-	-	0.21

## MODEL CODE ASSEMBLY

FSB	- 25	-	- BM	-	-
SERIES	CAPACITY CFM	FILTRATION MICRONS	FEATURE OPTIONAL (1)	STRAINER C OPTIONAL(2)	FEATURE SPECIAL
FSB	05			STD	DS - DIP STICK
FSB	25	40 - STD	BM - SIDE MOUNT	# L - STD	LT - LOCKING TAB
FSBW		10 - OPTIONAL	HN - HIGH NECK	L - 152	DS - DIP STICK
				L - 203	SG - SPLASH GUARD

# OPTIONAL / SPECIAL FEATURE (CONSULT FACTORY) - OMIT IF NOT REQUIRED