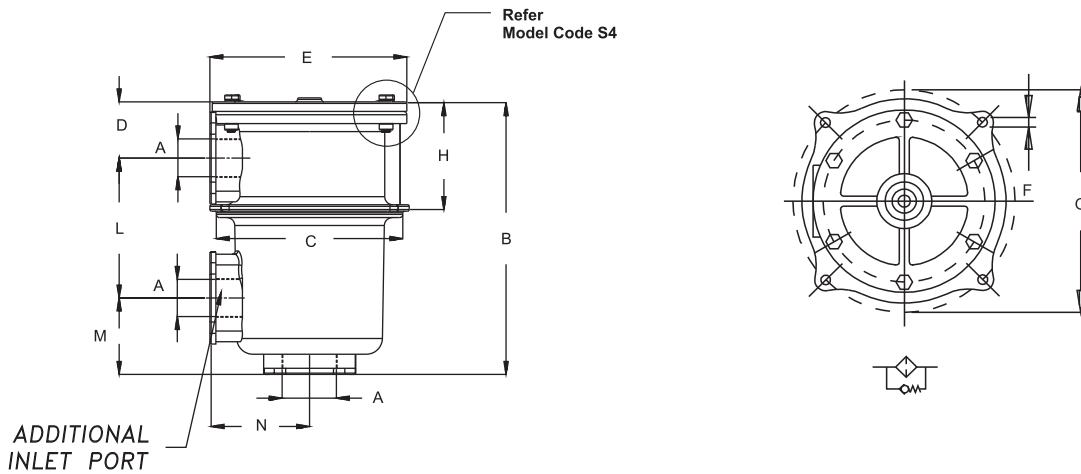


# FILTER - TANK / LINE MOUNTED

- DIRECT TANK OR LINE MOUNT
- 5 SIZES - FLOWS TO 700 LPM
- BY PASS STANDARD 1 BAR RETURN / 0.35 BAR SUCTION
- ALUMINIUM DIECAST CONSTRUCTION
- WORKING PRESSURE TO 20 BAR / TEST 30 BAR / BURST 40 BAR
- CAN BE USED FOR RETURN / SUCTION LINES
- MAX TEMP. TO 80° C
- SUITABLE FOR MINERAL / PETROLEUM BASED OILS

CFR2 TANK TOP HEAVY DUTY FILTER



MODEL	PORT 'A' BSPP	B	C	D	E	F	G	H	L	M	N	ELEMENT AREA (SQ CMS)		WT KGS
												10 / 25 PAPER	149 SS MESH	
CFR* - 025	1/2"	117	84	29	99	5.6	95	47	55	31.5	52	645	180	1.36
CFR* - 040	3/4"	180	121	41	119	6.5	138	77	105	26	59	1750	500	2.27
CFR* - 100	1"	257	135	64	140	6.5	154	112	140	50	72	2650	900	2.95
CFR* - 250	1 - 1/2"	301	162	65	174	8.5	180	116	159	73	95	7900	2080	5.45
CFR* - 630	2 - 1/2" SAE	352	234	80	241	10.5	275	148	177	95	125	14500	3500	11.8

# FILTER - TANK / LINE MOUNTED



## MODEL CODE ASSEMBL

CFR	2	- 0 2 5	- 04	B	- 0 1 0	- *
SERIES	SI E	PORT INCH	CONNECTION	FILTRATION MICRONS	FEATURE SPECIAL	
R - RETURN	0 2 5	04 - 1/2"	B - BSPP STD	010 - 10 NOM	<b>S4 - Bod( T r e d l e r )</b>  <b>SAE FLANGE</b> <b>S1 - METRIC BOLTS STD</b> <b>S2 - UNC BOLTS</b>	
S - SUCTION	0 4 0	06 - 3/4"	N - NPT	A10 - 10 ABS		
2 - ADDL INLET PORT OPTIONAL	1 0 0	0 - 1"	S - SAE FLANGE 100 / 250	025 - 25 NOM		
	2 5 0	12 - 1-1/2"		A25 - 25 ABS		
	6 3 0	20 - 2-1/2"	S - SAE FLANGE	149 - 149 NOM		
				4 - 74 NOM		

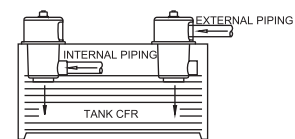
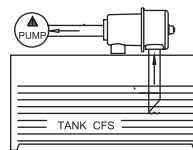
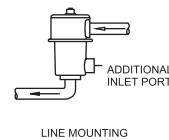
## MODEL CODE ELEMENT

CE	- 0 2 5	- 0 1 0
SERIES	SI E	FILTRATION MICRONS
CE	0 2 5	010 - 10 NOM
	0 4 0	A10 - 10 ABS
	1 0 0	025 - 25 NOM
	2 5 0	A25 - 25 ABS
	6 3 0	149 - 149 NOM
	6 3 0	4 - 74 NOM

INDICATOR OPTIONAL TO BE ORDERED SEPARATELY

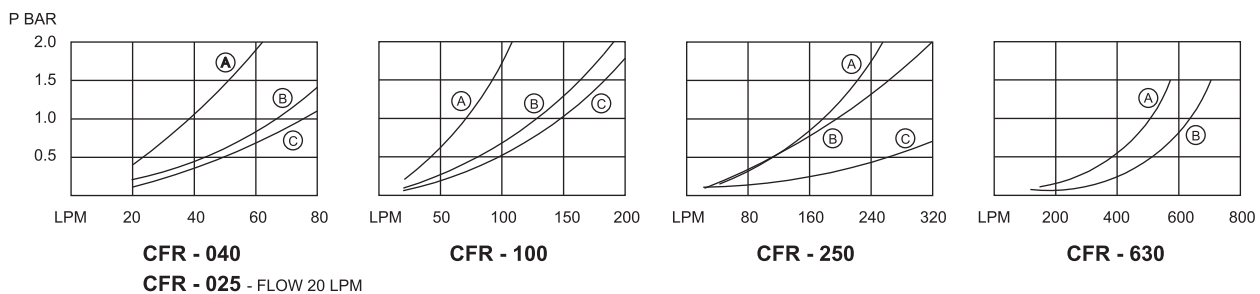
GR - ISUAL RETURN  
GS - ISUAL SUCTION

ER - ELEC. RETURN  
ES - ELEC. SUCTION



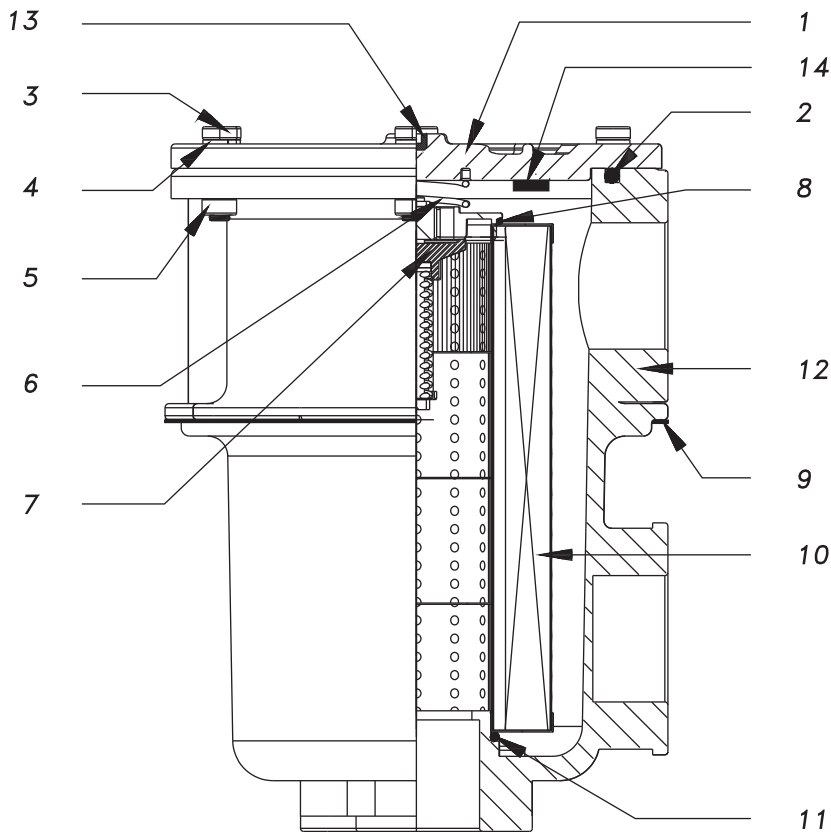
OIL ISOCCITY 32 S 30° C

(A) - 10 MICRONS (B) - 25 MICRONS (C) - 149 MICRONS



OPTIONAL / SPECIAL FEATURE - OMIT IF NOT REQUIRED

# FILTER - TANK / LINE MOUNTED



I N	P N		CFR - 025	CFR - 040	CFR - 100	CFR - 250	CFR-630
1	C	1					
2	B OR	1	63.2 X 1.8	88.5 X 3.5	96.5 X 3.5	121.0X 3.0	187 X 6.5
3	B	4	M5 20	M6 35	M8 X 35	M10 X 45	M10 X 45
4	S W	4	M5	M6	M8	M10	M10
5	N	4	M5 X 0.8	M6 1	M8 X 1.25	M10 X 1.5	M10 X 1.5
6	E S	1					
7	B P A	1	B				
8	B P OR			30.0 X 5.0	30.0 X 5.0		74.0 X 3.0
9	B -T G	1					
10	E R M C	1					
11	B -E OR	1	25.0 2.6	34.5 3.5	34.5 X 3.5		74.0 X 3.0
12	B R M C	1					
13	G S 1/8 NPT	1					
14	M	1					

OR S - I D C S D