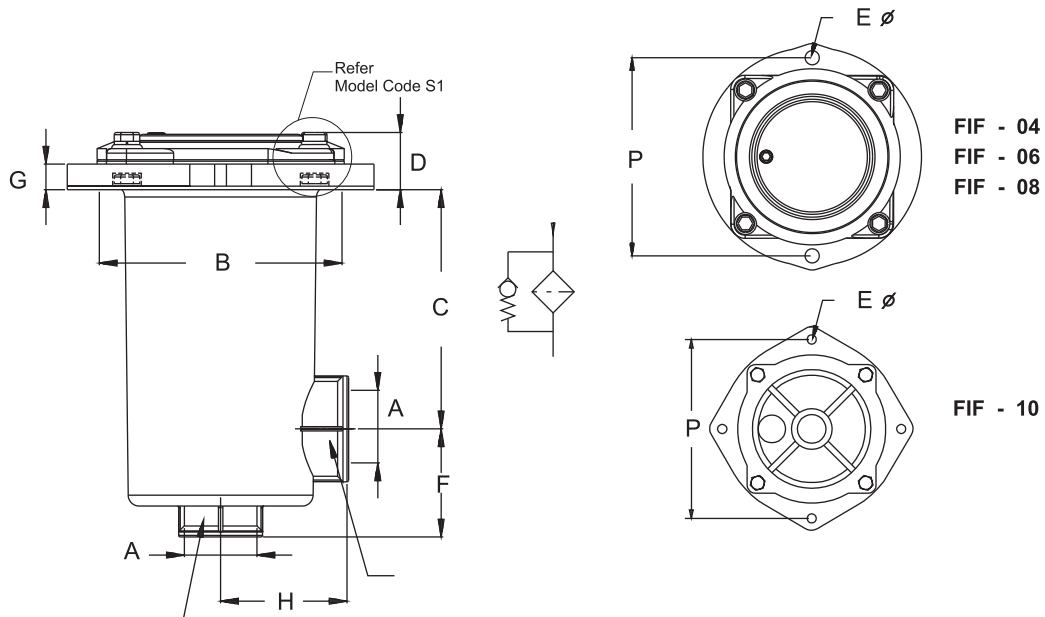


FILTER - TANK IMMERSED

- DIRECT TANK MOUNTING
- PRESSURE MAX. 10 BAR / TEST 20 BAR / BURST 25 BAR
- ALL ALUMINIUM DIE CAST CONSTRUCTION
- 4 SIZES - FLOWS TO 150 LPM
- BY PASS STANDARD 1 BAR
- ELEMENTS REPLACEABLE THROUGH COVER
- SUITABLE FOR MINERAL / PETROLEUM BASED OILS
- MAX TEMP. 80 deg C

FIF TANK IMMERSED FILTER



MODEL	PORT 'A' BSPP	B	C	D	E	F	G	H	P	COVER BOLT 4 OFF	WT KGS
FIF - 04	1/2 "	80	71	23	7	34	10	48	100	M 6	0.9
FIF - 06	3/4 "	105	68	24	9	48	10	58	126	M 6	1.4
FIF - 08	1 "	105	110	24	9	55	10	58	126	M 6	1.6
FIF - 10	1 - 1/4 "	156	190	35	9	62	14	83	175	M 8	3.0

DIMENSIONS IN MM FOR REFERENCE ONLY

FILTER - TANK IMMERSED



MODEL CODE ASSEMBL

F I F	- 04	B	- 010	-
SERIES	PORT INCH	PORT THREAD	FILTRATION MICRONS	FEATURE SPECIAL
	04 - 1/2"	B - BSPP STD	010 - 10 NOM	S1 - Bod T re d l er
	06 - 3/4"	N - NPT OPTIONAL	A10 - 10 ABS	
	08 - 1"		0 - 25 NOM	
	10 - 1 - 1/4"	S - SAE	A - 25 ABS	

MODEL CODE ELEMENT

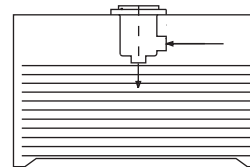
F I E	- 04	- 010
SERIES	S I E	FILTRATION MICRONS
F I E	04	010 - 10 NOM
	06	A10 - 10 ABS
	08	0 - 25 NOM
	10	A - 25 ABS

INDICATOR OPTIONAL

TO BE ORDERED SEPERATELY

GR 40 - VISUAL INDICATOR

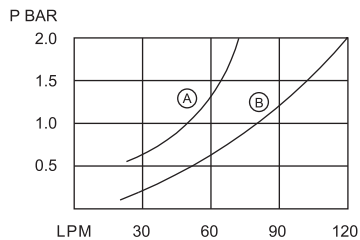
E R - ELECTRICAL INDICATOR



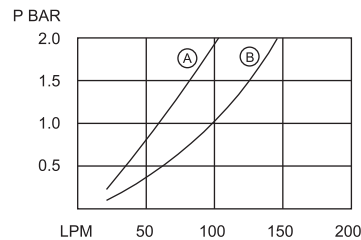
F I F

OIL VISCOCITY 32 S 30 C

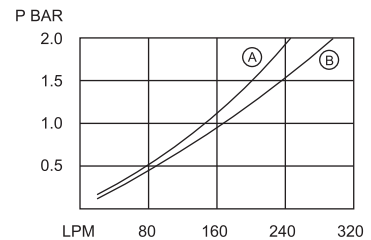
(A) - 10 MICRONS (B) - 25 MICRONS



F I F - 06
F I F - 04 - FLOW 20 LPM



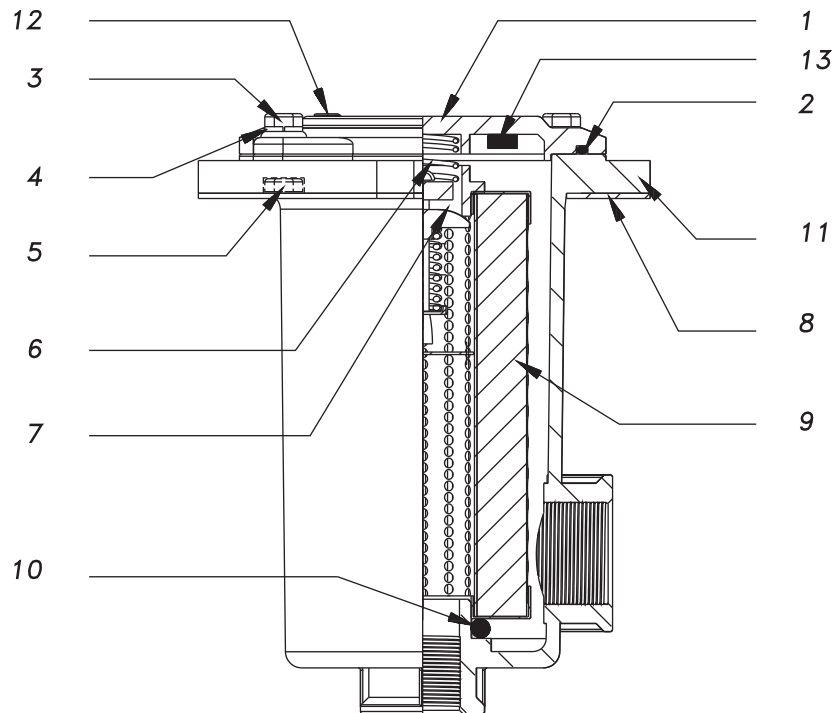
F I F - 08



F I F - 10

OPTIONAL / SPECIAL FEATURE - OMIT IF NOT RE UIRED

FILTER - TANK IMMERSED



le No	Pr N e		FIF - 04	FIF - 06	FIF - 08	FIF - 10
1	Coer	1				
2	Coer O R g	1	68.02.9	95.0X3.5	95.0X3.5	135.0 X3.0
3	Bol	4	M6 23	M6 23	M6 23	M825
4	S r g W er	4	M6	M6	M6	M8
5	N	4	M6 1	M6 1	M6 1	M81.25
6	Ele e S r g	1				
7	B P V le Ae l	1	B I			
8	Bod-T G e	1				
9	Ele e Refer Model Code	1				
10	Bod-Ele e O R g	1	24.0 2.5	29.5 4.8	29.5 4.8	39.0 4.0
11	Bod Refer Model Code	1				
12	Gr S re 1/8 NPT	1				
13	M g e	1				

OR g Se - l e r ID Cro Se o ID