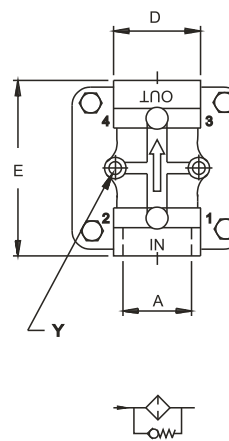
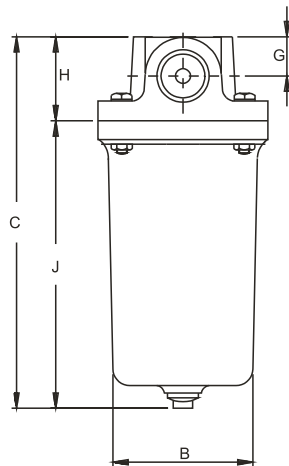


FILTER - INLINE

- ALUMINIUM DIE CAST CONSTRUCTION
- 3 BASIC MODELS - FLOWS TO 150 LPM
- BY PASS STANDARD 1 BAR
- WORKING PRESSURE TO 20 BAR / TEST 30 BAR / BURST 40 BAR
- MAX TEMP. TO 80° C
- SUITABLE FOR MINERAL / PETROLEUM BASED OILS

HFR IN LINE FILTER



MODEL	PORT 'A' BSPP	B	C	D	E	G	H	J	Y 2 OFF	ELEMENT AREA (SQ.CMS.)		WT KGS
										10 / 25 m PAPER	149 m SS MESH	
HF * . 05	1 / 2"	66	149	38	88	21	44	105	M 8	920	315	0.9
HF * . 10	3/4" 1"	87	180	44	114	23	52	128	M 8	2206	774	1.8
HF * . 20	1 - 1 / 4" 1 - 1 / 2"	120	292	57	142	31	70	222	M 10	7237	2096	3.6

FILTER - INLINE

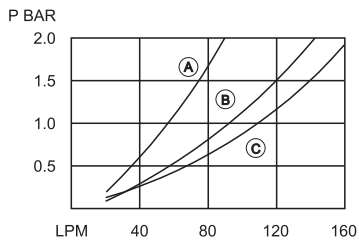


MODEL CODE ASSEMBLY

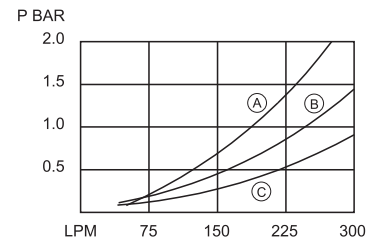
HF	R	- 05	- 04	B	- 010	- **	- **
TYPE		SI E	PORT INCH	THREAD	FILTRATION MICRONS	FEATURE BY P OMIT IF STD	FEATURE INDICATOR PORTS
R - RETURN		05	04 - 1/2"	B - BSPP STD N - NPT OPTIONAL S - SAE OPTIONAL	010 - 10 NOM	R4 - 25 PSI	B - 4 X 1/8" NPT INLET/ OUTLET STD R - 2 X 1/8" NPT INLET STD S - 2 X 1/8" NPT OUTLET STD - NONE OPTIONAL
S - SUCTION		10	0 - 3/4"		025 - 25 NOM	R - 15PSI STD	
B - NO BYPASS		20	0 - 1"		A10 - 10 ABS	S1 - 3PSI STD	
			10 - 1-1/4"		A25 - 25 ABS	S2 - 5PSI	
			12 - 1-1/2"		149 - NOM		
					4 - NOM		

OIL ISOVISCOITY 32 S 30° C

Ⓐ - 10 MICRONS Ⓑ - 25 MICRONS Ⓒ - 149 MICRONS



HFR - 10
HFR - 05 - FLOW 20 LPM



HFR - 20

MODEL CODE ELEMENT

HFE	- 05	- 010
	SI E	FILTRATION MICRONS
HFE	05	010 - 10 NOM 025 - 25 NOM A10 - 10 ABS A25 - 25 ABS
	10	149 - 149 NOM
	20	4 - 74 NOM

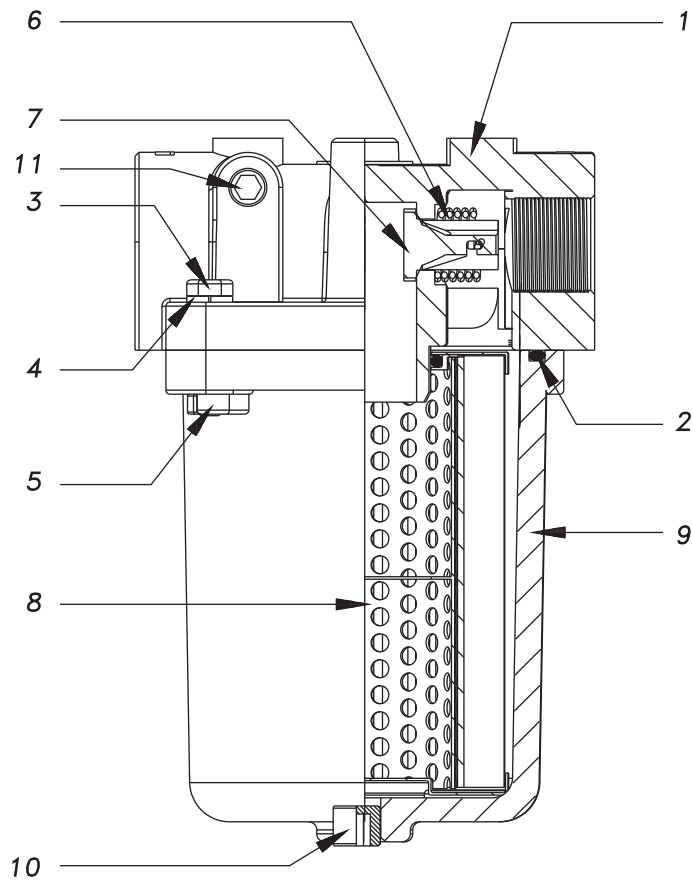
INDICATOR OPTIONAL TO BE ORDERED SEPERATELY

GR - ISUAL RETURN
GS - ISUAL SUCTION

ER - ELEC. RETURN
ES - ELEC. SUCTION

OPTIONAL / SPECIAL FEATURE - OMIT IF NOT RE UIRED
CONSULT FACTORY FOR 75 ABSOLUTE RATED ELEMENTS AAILABILITY

FILTER - INLINE



~ ~

I N	P N		HFR - 05	HFR - 10	HFR - 20
1	H R M C	1			
2	B O R	1	68.0 2.5	82.0 3.5	115.0 3.0
3	B	4	M6 30	M6 30	M8 45
4	S W	4	M6	M6	M8
5	N	4	M6 1	M6 1	M8 1.25
6	C S	1			
7	B P	1	B		
8	E R M C	1			
9	B	1			
10	D P	1	1 / 4NPT	1 / 4NPT	3 / 8NPT
11	G S 1/8 NPT	2			

O R S - I D C S D