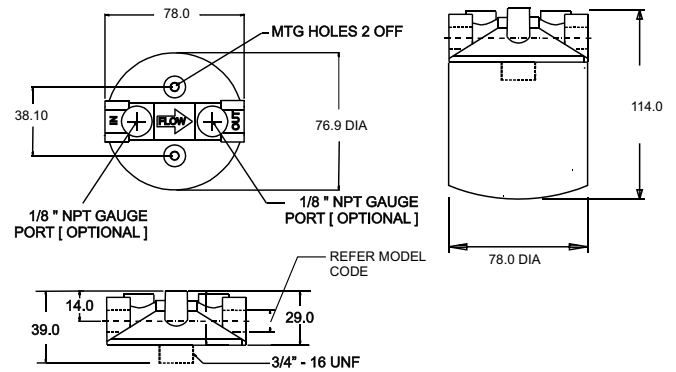


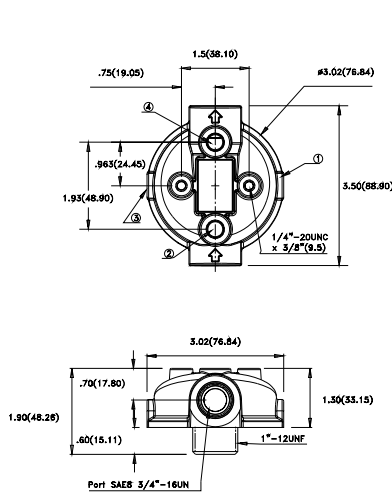
# FILTER - SPIN ON IF\*4



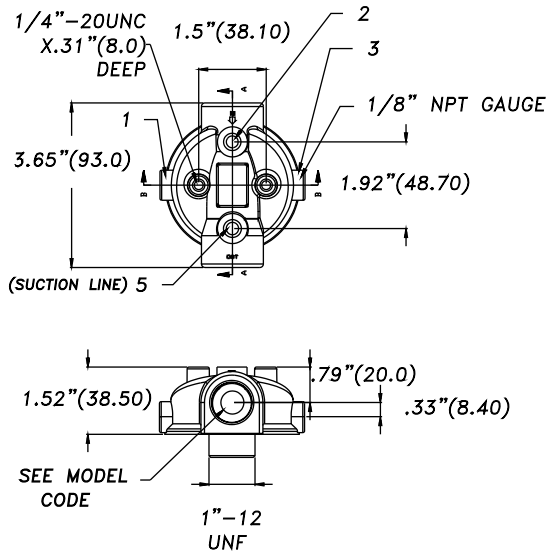
- DISPOSABLE SPIN ON
- DIE CAST ALUMINIUM HEAD
- FLOWS TO 80 LPM( RETURN ) / 20 LPM ( SUCTION )
- MAX. PRESSURE 10 BAR
- BY PASS STANDARD 1 BAR ( SUCTION 0.2 BAR )
- MAX. TEMP. 80 ° C.
- FOR USE WITH MINERAL / PETROLEUM BASED OILS



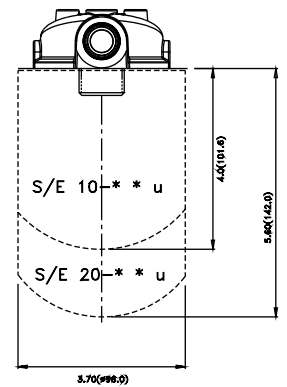
IF\*4 - 02N



IF\*4 - 04N



IF\*4 - 06N



IF\*4 - 04N / 06N

MODEL CODE : HEAD CASTING

# By Pass :

IF * 4	- 12S	- U	- *	- *
SERIES	PORT SIZE	POST THREAD	BY PASS	FEATURE SPECIAL #
B - NO BYPASS	02N -1/4" NPT 03N -3/8" NPT 06S -9/16"-18 UNF	U - 3/4 "-16 UNF	NO BYPASS - Std	
B - NO BYPASS R - RETURN S - SUCTION	04N -1 / 2" NPT 08S -3/4"-16 UNF 06N -3/4" NPT 12S -1-1/16"-12 U	U - 1 "-12 UNF	R3 - 15 psi Standard R4 - 25 psi S1 - 3 psi Standard S2 - 5 psi	G(**) - SPECIFY LOCATION

USE ELEMENT
REFER ELEMENT CHART
S/E T -05-***U (WITH BYPASS)
S/E - 10-***U OR S/E -20-***U

DATA SHEET UNDER CONSTRUCTION

DIMENSIONS IN MM FOR REFERENCE ONLY