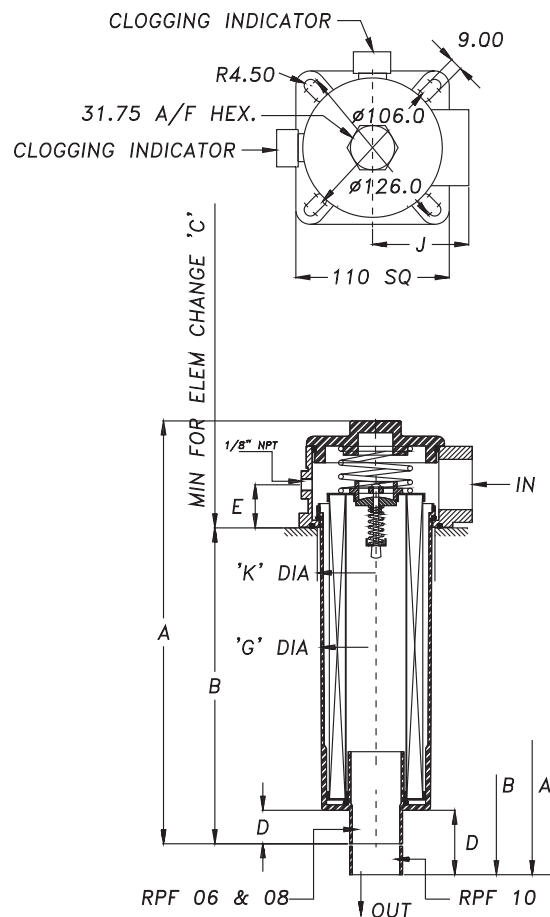


# FILTER-TANK IMMERSED

- DIRECT TANK MOUNTING
- PRESSURE - MAX. 7 BAR / TEST 12 BAR / BURST 16 BAR
- ALUMINIUM / PLASTIC CONSTRUCTION
- 3 SIZES FLOW TO 150 LPM
- BY PASS STANDARD 1 BAR
- SUITABLE FOR MINERAL / PETROLEUM BASED OILS
- MAX. TEMP

RPF

TANK TOP FILTER



MODEL NO	T DS	A	B	C	D	E	K			
RPF - 06	3/4" BSPP	307.00	230.00	350.00	24.00	30.00	80.00	38.00	66.00	80.00 <sup>+2.8</sup>
RPF - 08	1" BSPP	307.00	230.00	350.00	24.00	30.00	80.00	38.00	66.00	80.00 <sup>+2.8</sup>
RPF - 10	1- 1/4" BSPP	390.00	311.00	405.00	24.00	30.00	80.00	38.00	66.00	80.00 <sup>+2.8</sup>

# FILTER - TANK IMMERSED



**MODEL CODE : ASSEMBLY**

RPF	- 16S	B	L1	- 10
SERIES	PORT SIZE	PORT CONNECTION	BOWL LENGT	FILTRATION m MICRONS
	<b>06</b> - 3/4"	<b>B</b> - BSPP  <b>N</b> - NPT	<b>L1-220</b>	<b>10</b> - 10 m NOM
	<b>08</b> - 1"			<b>A10</b> - 10 m ABS
	<b>10</b> - 1-1/4"	<b>S</b> - SAE	<b>L2-300</b>	<b>25</b> - 25 m NOM  <b>A25</b> - 25 m ABS

CONSULT FACTORY  
FOR OPTIONAL  
SAE T READS

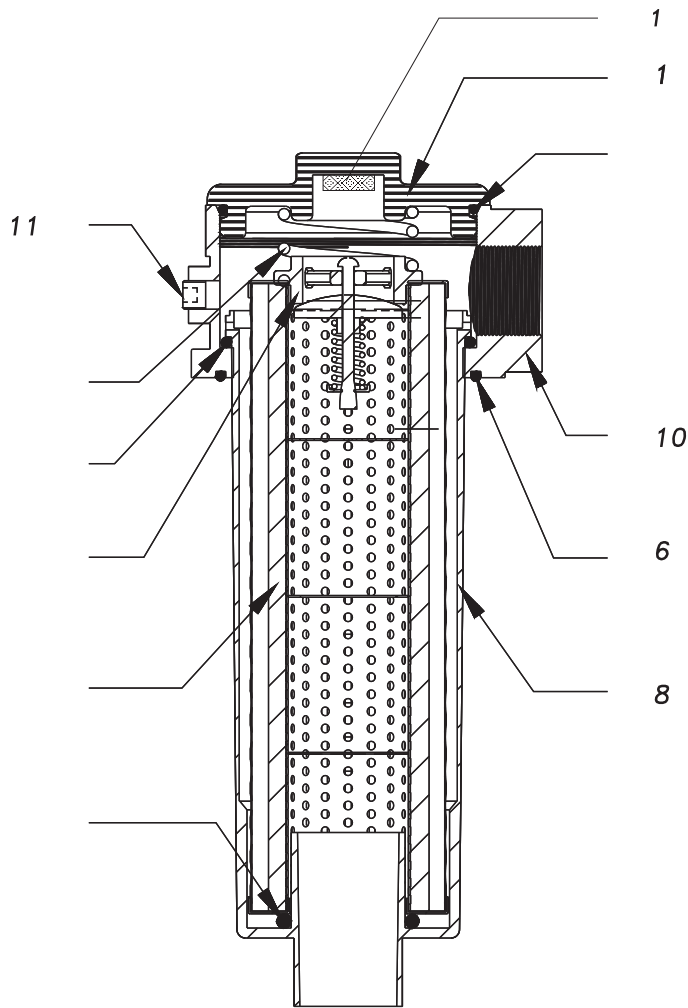
16S / 20S / 24S

**MODEL CODE : ELEMENT**

RPE	- L1	- 10
SERIES	ELEMENT SIZE	FILTRATION m MICRONS
	<b>L1 - 120 - LPM</b>	<b>10</b> - 10 m NOM
		<b>A10</b> - 10 m ABS
	<b>L2 -150 LPM</b>	<b>25</b> - 25 m NOM
		<b>A25</b> - 25 m ABS

OPTIONAL / SPECIAL FEATURE - OMIT IF NOT REQUIRED

# FILTER - TANK IMMERSED



I N	P N		RPF - 06	RPF - 08	RPF - 10
1	C	1			
2	C OR	1	95.0 X 3.5	95.0 X 3.5	95.0 X 3.5
3	E S	1			
4	B P A	1	TIF2-10	TIF2-10	TIF2-10
5	B -B OR	1	75.0 3.0	75.0 3.0	75.0 3.0
6	B -T OR	1	85.0 2.6	85.0 X 2.6	85.0 X 2.6
7	E R M C	1			
8	B R M C	1			
9	B -E OR	1	39.5 X 4.0	39.5 4.0	39.5 4.0
10	B R M C	1			
11	G S 1/8" NPT	1			
12	M	1			

OR S - I D C S D