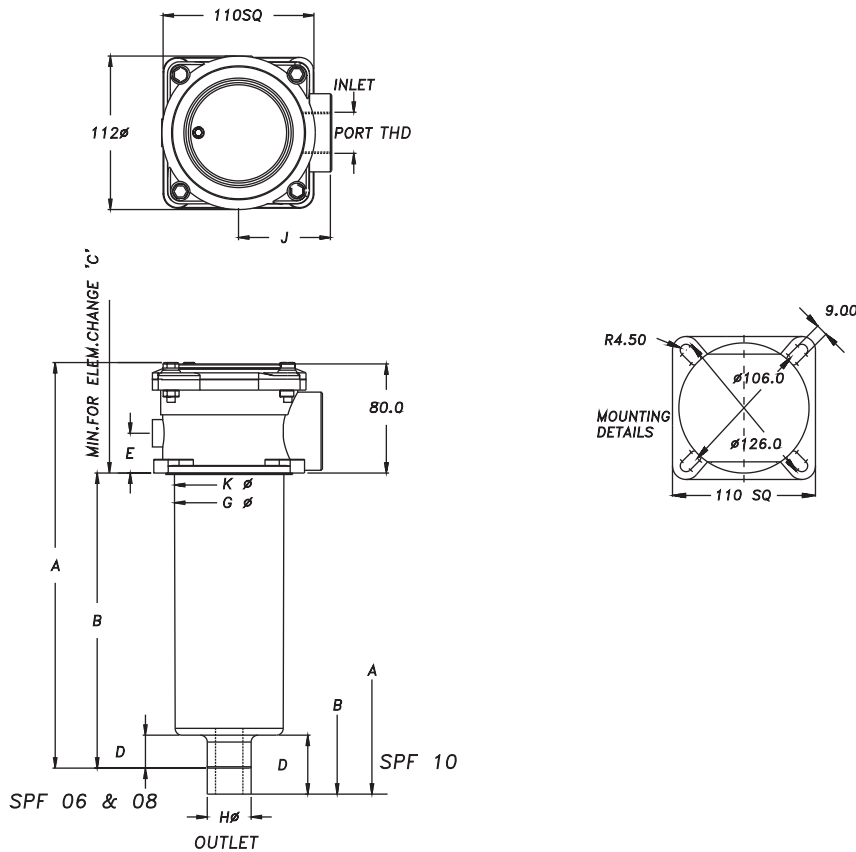


FILTER-TANK IMMERSED

- DIRECT TANK MOUNTING
- PRESSURE - MAX. 7 BAR / TEST 12 BAR / BURST 16 BAR
- ALUMINIUM / PLASTIC CONSTRUCTION
- 3 SIZES FLOW TO 150 LPM
- BY PASS STANDARD 1 BAR
- SUITABLE FOR MINERAL / PETROLEUM BASED OILS
- MAX. TEMP 80°C



MODEL NO	T DS	A	B	C	D	E				K
SPF - 06	3/4" BSPP	307.00	230.00	350.00	24.00	30.00	80.00	38.00	66.00	80.00 ^{+2.8}
SPF - 08	1" BSPP	307.00	230.00	350.00	24.00	30.00	80.00	38.00	66.00	80.00 ^{+2.8}
SPF - 10	1- 1/4" BSPP	390.00	311.00	405.00	24.00	30.00	80.00	38.00	66.00	80.00 ^{+2.8}

FILTER - TANK IMMERSED



MODEL CODE : ASSEMBLY

SPF	06	B	L1	- 10
SERIES	PORT SIZE	PORT CONNECTION	BOWL LENGT	FILTRATION m MICRONS
	06 - 3/4"	B - BSPP N - NPT	L1-220	10 - 10 m NOM
	08 - 1"			A10 - 10 m ABS
	10 - 1-1/4"	S - SAE	L2-300	25 - 25 m NOM A25 - 25 m ABS

CONSULT FACTORY
FOR OPTIONAL
SAE T READS

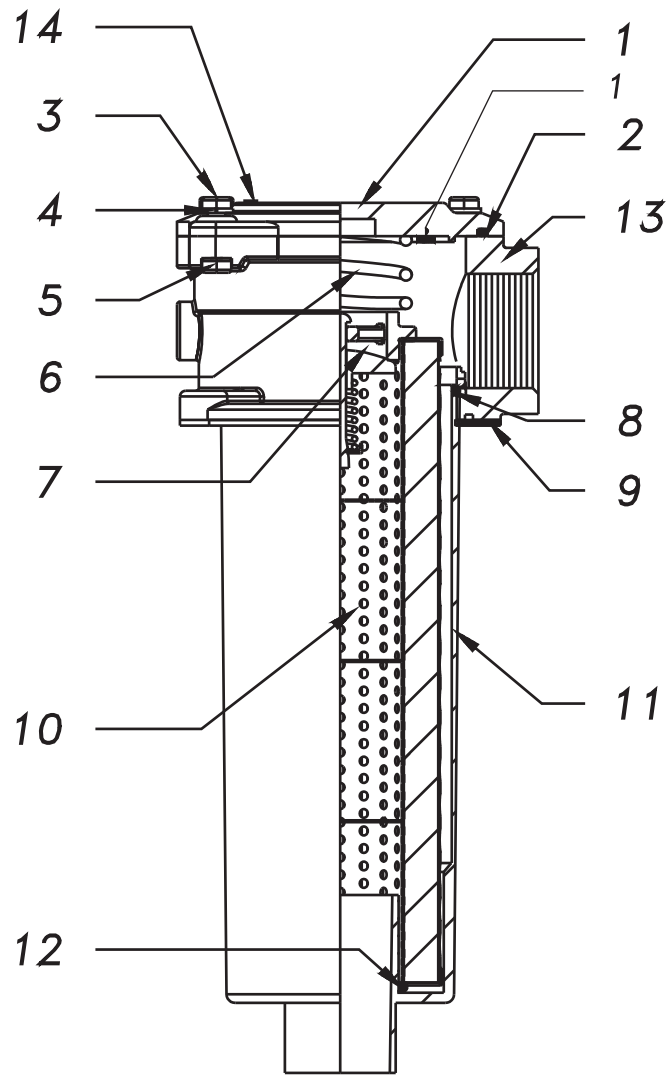
16S / 20S / 24S

MODEL CODE : ELEMENT

SPE	- L1	- 10
SERIES	ELEMENT SIZE	FILTRATION m MICRONS
	L1 - 120 - LPM	10 - 10 m NOM
		A10 - 10 m ABS
	L2 - 150 LPM	25 - 25 m NOM
		A25 - 25 m ABS

OPTIONAL / SPECIAL FEATURE - OMIT IF NOT REQUIRED

FILTER - TANK IMMERSED



I N	P N		SPF - 06	SPF - 08	SPF - 10
1	C	1	TIF2-08	TIF2-08	TIF2-08
2	C OR	1	95.0 X 3.5	95.0 X 3.5	95.0 X 3.5
3	B	4	M6 18	M6 18	M6 18
4	S W	4	M6	M6	M6
5	N	4	M6 1	M6 1	M6 1
6	E S	1			
7	B P A	1	TIF2-10	TIF2-10	TIF2-10
8	B -B OR	1	75.0 3.0	75.0 3.0	75.0 3.0
9	B -T GASKET	1			
10	E R M C	1			
11	B R M C	1			
12	B -E OR	1	39.5 X 4.0	39.5 4.0	39.5 4.0
13	B R M C	1			
14	G S 1/8" NPT	1			
15	M	1			

OR S - I D C S D