

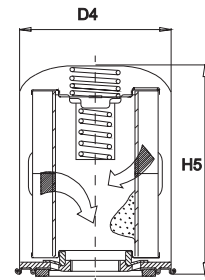
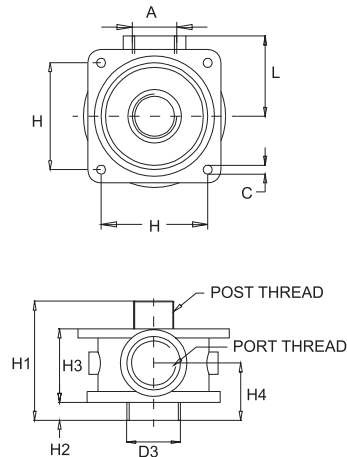
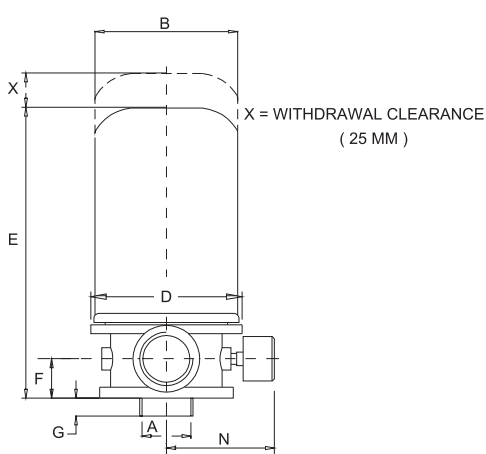
FILTER - TANK MOUNTED SPIN ON



- DISPOSABLE SPIN ON
- DIE CAST ALUMINIUM HEAD
- ELEMENT WITH BY PASS VALVE
- 2 SIZES - FLOWS TO 150 LPM
- MAX. PRESSURE 10 BAR (150 PSI) MAX TEMP. 80° C
- ANTI DRAIN FLAP TO MINIMISE SPILLAGE WHILE CHANGING ELEMENT
- FOR USE WITH MINERAL / PETROLEUM BASED OILS

TFR3

TANK TOP FILTER



MODEL CODE	A BSPP	B	C	D	E	F	G	H	L	N	WT KGS
TFR3 - 06	3/4"	96	7	75	196	25	18	70	55	72	1.3
TFR3 - 12	1-1/2"	129	9	135	252	36	22	100	72	90	2.3

HEAD

ELEMENT

MODEL CODE	PORT THREAD	POST THREAD	D3	H1	H2	H3	H4	WT KGS
TFR3.06 B.B	3/4"	3/4"	35	80	18	53	43	0.5
	BSPP	BSPP						
TFR3.06 B.U	3/4"	1"	60	127	22	73	58	1.0
	BSPP	UNF						
TFR3.12 B	1-1/2"	DUAL THREAD						

SIZE	D4	H5	WT KGS
S/E T . 20 * * . *	96	146	0.8
TFE . 50 * * . *	129	180	1.3
DUAL THD. (1-1/4" BSPP & 1-1/2" UNF)			

FILTER -TANK MOUNTED SPIN ON



MODEL CODE COMPLETE ASSEMBLY

TFR3	- 06 B	- 20	- 10	B
SERIES	PORT INCH	SIZE	FILTRATION MICRON	POST THREAD
	06 B - 3/4" BSPP	20	10 - 10 NOM	B - BSPP U - UNF (STD)
	12 B - 1-1/2"BSPP	50	25 - 25 NOM	B - BSPP

INDICATOR OPTIONAL

(TO BE ORDERED SEPARATELY)

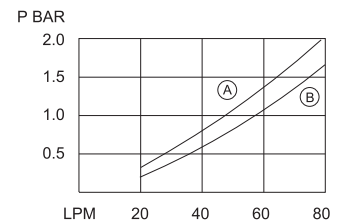
GR 40 - VISUAL INDICATOR

ER - ELECTRICAL INDICATOR

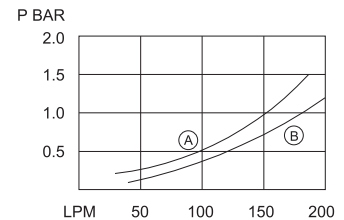
OPTIONAL / SPECIAL FEATURE - OMIT IF NOT REQUIRED
CONSULT FACTORY FOR = 75 (ABSOLUTE) RATED ELEMENTS AVAILABILITY

OIL VISCOSITY 32 S 30° C

(A) - 10 MICRONS (B) - 25 MICRONS



TFR3 - 06



TFR3 - 12

MODEL CODE BOD

TFR3	- 06	B	- B	- *
SERIES	PORT SIZE	PORT CONNECTION	POST THREAD	FEATURE SPECIAL
	06 - 3/4	B - BSPP (STD) N - NPT	B - BSPP U - UNF (STD)	
	12 - 1 - 1/2		DUAL THREAD	

MODEL CODE ELEMENT

***	20	- 10	B
SERIES	SIZE	FILTRATION MICRON	POST THREAD
S/E T	20	10 - 10 NOM	B - BSPP U - UNF (STD)
TFE	50	25 - 25 NOM	B - BSPP (STD)

