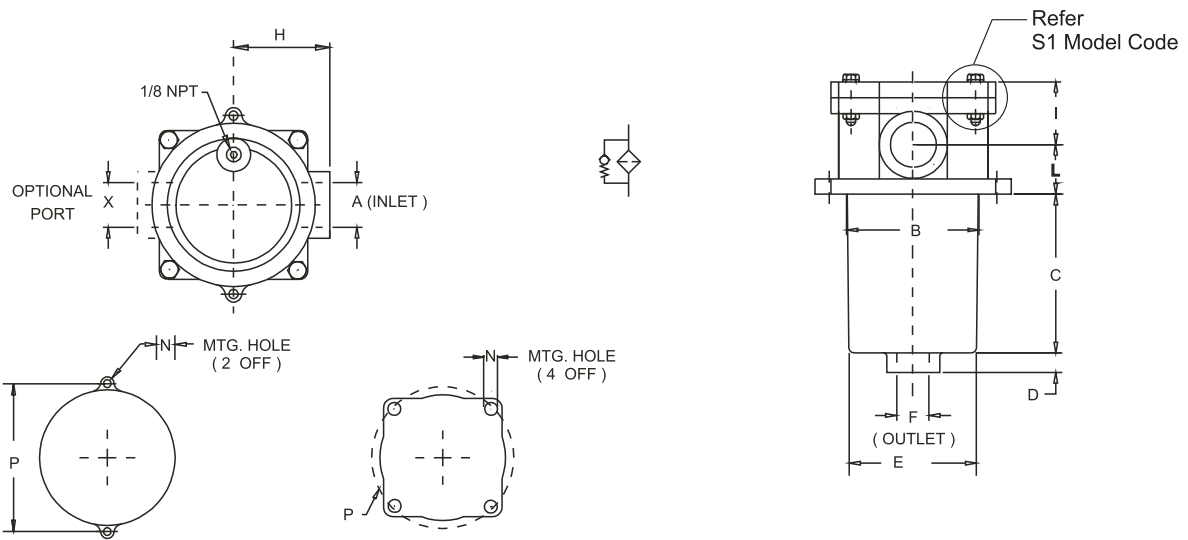


FILTER - TANK IMMERSED

- DIRECT TANK MOUNTING
- PRESSURE - MAX. 10 BAR / TEST 20 BAR / BURST 25 BAR
- ALL ALUMINIUM DIECAST CONSTRUCTION
- 4 - SIZES FLOWS TO 175 LPM
- BY PASS STANDARD 1 BAR
- ELEMENTS REPLACEABLE THROUGH COVER
- SUITABLE FOR MINERAL / PETROLEUM BASED OILS
- MAX TEMP. 80 deg C



TIF 2 - 04
TIF 2 - 06
TIF 2 - 08

TIF 2 - 10

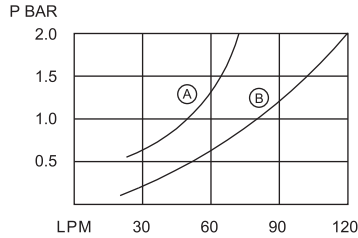
MODEL	PORT 'A' BSPP	PORT 'X' BSPP	B	C	D	E	PORT 'F' BSPP	H	I	L	N	P	ELEMENT AREA SQ CMS 10 / 25 m	WT KGS
TIF2 - 04	1 / 2"	-	65	60	13	62	1 / 2"	51	28	22	6.6	90	710	0.9
TIF2 - 06	3 / 4"	-	89	75	13	84	3 / 4"	70	32	26	8.2	114	1225	1.5
TIF2 - 08	1"	-	89	108	13	84	3 / 4"	70	36	26	8.2	114	2450	1.7
TIF2 - 06 / 08	1"	3 / 4"	89	108	13	84	3 / 4"	70	36	26	8.2	114	2450	1.8
TIF2 - 10	1 - 1 / 4"	1 - 1 / 4"	129	213	19	122	1 - 1 / 4"	87	56	44	10.5	175	6120	4.0

FILTER - TANK IMMERSED

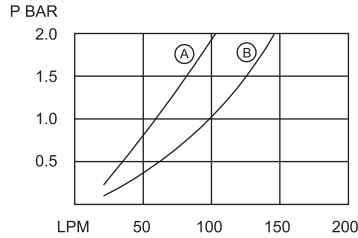


OIL VISCOCITY 32 S - 30 C

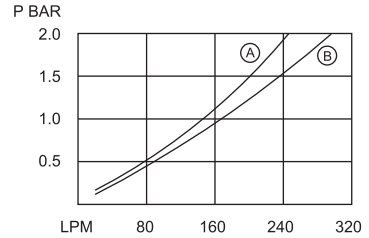
(A) - 10 MICRONS (B) - 25 MICRONS



TIF2 - 06
TIF2 - 04 - FLOW 20 LPM



TIF2 - 08



TIF2 - 10

MODEL CODE ASSEMBL

TIF 2	- 08	-	B	- 010	-
SERIES	PORT 'A' INCH (BSPP)	PORT 'X' OPTIONAL INCH (BSPP)	PORT THREAD	FILTRATION MICRONS	FEATURE SPECIAL
2 - ALL CAST	04 - 1/2"		B - BSPP	010 - 10 NOM	S1 - Bod (T re d l er)
	06 - 3/4"			A10 - 10 ABS	
	08 - 1"	06 - 3/4"	N - NPT	025 - 25 NOM	
	10 - 1 - 1/4"	10 - 1 - 1/4"		A25 - 25 ABS	

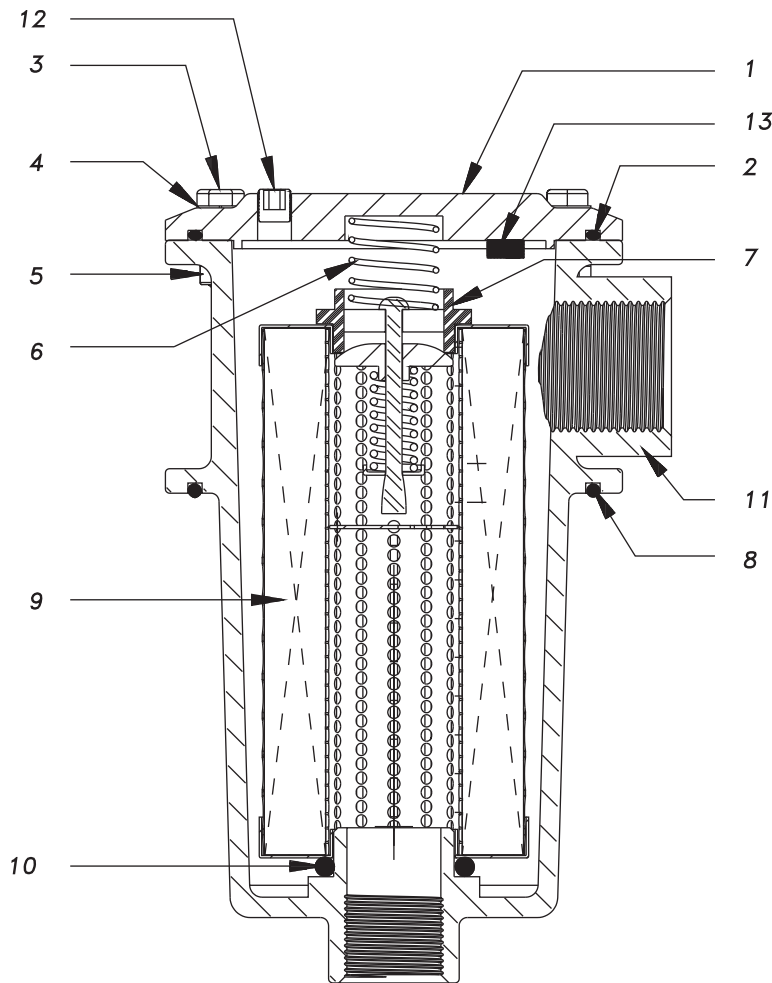
MODEL CODE ELEMENT

TIE	- 08	- 010
SERIES	SIE	FILTRATION MICRON
TIE	04	010 - 10 NOM
	06	A10 - 10 ABS
	08	025 - 25 NOM
	10	A25 - 25 ABS

INDICATOR OPTIONAL
(TO BE ORDERED SEPERATELY)
GR 40 - VISUAL INDICATOR
ER - ELECTRICAL INDICATOR

OPTIONAL / SPECIAL FEATURE - OMIT IF NOT RE UIRED

FILTER - TANK IMMERSED



le No	P r N e		TIF2 - 04	TIF2- 06	TIF2 - 08	TIF2 - 10
1	Coer	1				
2	Coer O R g	1	68.02.9	95.0X3.5	95.0X3.5	135.0 X3.0
3	Bol	4	M6 20	M6 20	M6 20	M835
4	S r g W er	4	M6	M6	M6	M8
5	N	4	M6 1	M6 1	M6 1	M81.25
6	Ele e S r g	1				
7	B P V le Ae l	1	B I			
8	Bod-T O R g	1	72.5 3.0	95X3.5	95X3.5	134X4.5
9	Ele e (Refer Model Code)	1				
10	Bod-Ele e O R g	1	24.0 2.5	29.5 4.8	29.5 4.8	39.0 4.0
11	Bod(Refer Model Code)	1				
12	Gr S re 1/8 NPT	1				
13	M g e	1				

OR g S e - l e r ID C r o S e o ID