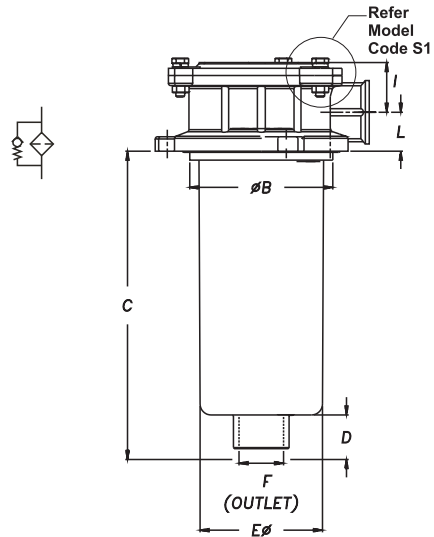
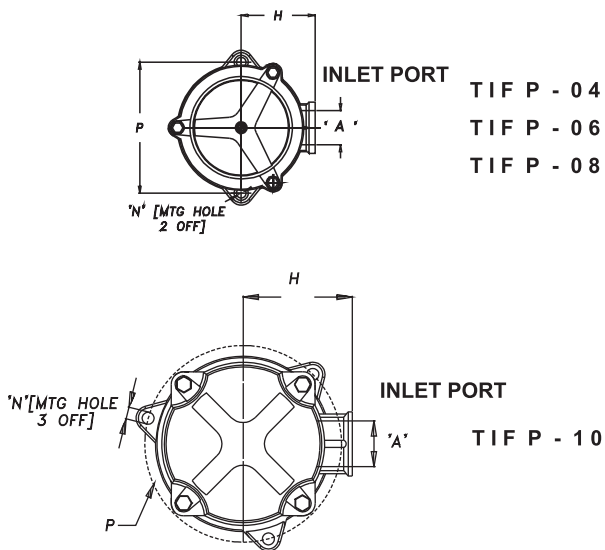


FILTER - TANK IMMERSED

- DIRECT TANK MOUNTING
- PRESSURE - MAX. 7 BAR / TEST 12 BAR / BURST 16 BAR
- ALUMINIUM DIECAST BODY HOUSING / POLYAMIDE G.F. BOWL
- 4 - SIZES FLOWS TO 175 LPM
- BY PASS STANDARD 1 BAR
- ELEMENTS REPLACEABLE THROUGH COVER
- SUITABLE FOR MINERAL / PETROLEUM BASED OILS
- MAX. TEMP 80°C



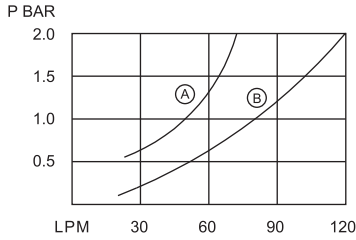
MODEL	PORT 'A' BSPP	B	C	D	E	PORT 'F' Dia	H	I	L	N	P	ELEMENT AREA SQ CMS 10 / 25 m	WT KGS
TIFP - 04	1 / 2"	69	89	15	58	19	53	25	22	6.6	90	710	-
TIFP-06	3 / 4"	87	100	25	78	22	65	36	28	8.5	115	1225	-
TIFP - 08	1"	87	151	25	80	22	65	36	28	8.5	115	2450	-
TIFP- 10	1 - 1 / 4"	129	278	40	110	39	97	45	35	10.5	175	6120	-

FILTER - TANK IMMERSED



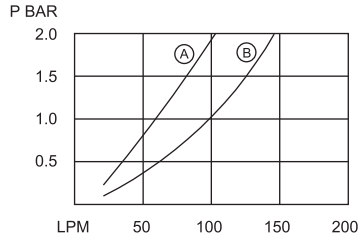
OIL VISCOCITY 32 S 30° C

(A) - 10 MICRONS (B) - 25 MICRONS

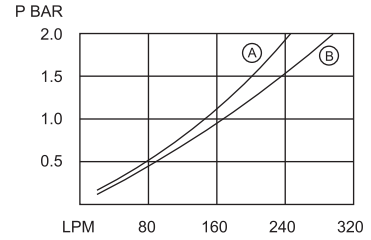


TIFP - 06

TIFP - 04 - FLOW 20 LPM



TIFP - 08



TIFP - 10

MODEL CODE ASSEMBL

TIF P	- 08 B	- 010	-
SERIES	PORT 'A' THREAD	FILTRATION MICRONS	FEATURE SPECIAL
P - CAST BODY/PLASTIC BOWL	04 - 1/2"	B - BSPP	010 - 10 NOM
	06 - 3/4"		A10 - 10 ABS
	08 - 1"	N - NPT	025 - 25 NOM
	10 - 1 - 1/4"		A25 - 25 ABS
			S1-B T I

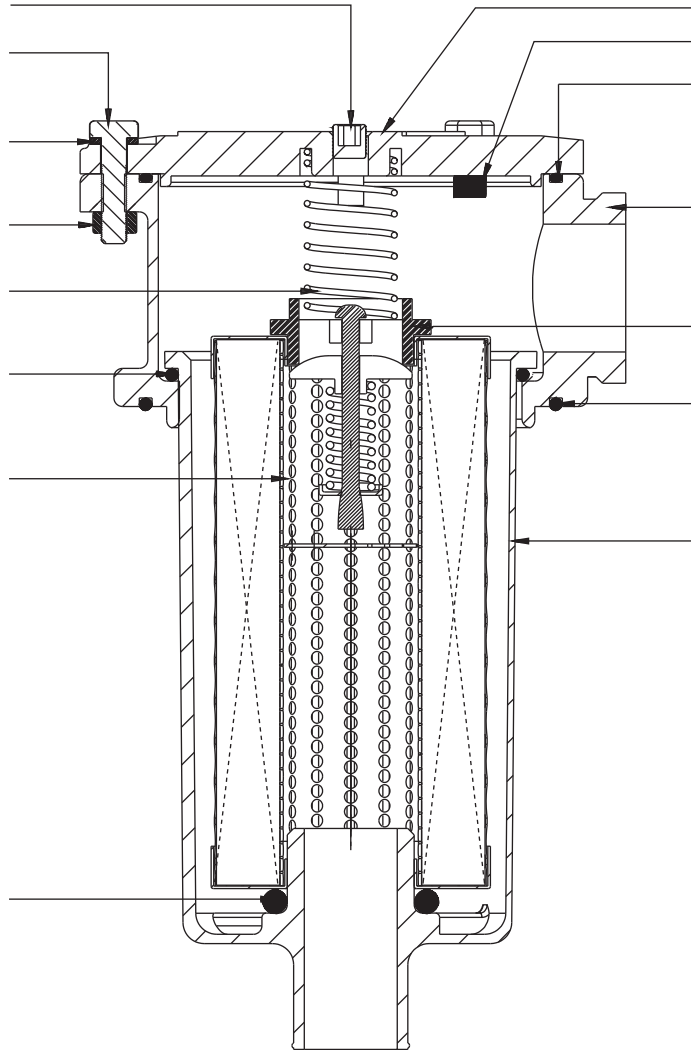
MODEL CODE ELEMENT

TIE	- 08	- 010
SERIES	SI E	FILTRATION MICRON
TIE	04	010 - 10 NOM
	06	A10 - 10 ABS
	08	025 - 25 NOM
	10	A25 - 25 ABS

INDICATOR OPTIONAL
 TO BE ORDERED SEPERATELY
GR 40 - VISUAL INDICATOR
ER - ELECTRICAL INDICATOR

OPTIONAL / SPECIAL FEATURE - OMIT IF NOT RE UIRED
 CONSULT FACTORY FOR 75 ABSOLUTE RATED ELEMENTS AVAILABILITY

FILTER - TANK IMMERSED



I N	P N		TIFP - 04	TIFP - 06	TIFP - 08	TIFP - 10
1	C	1				
2	C OR	1	70.5 2.0	93.0 2.7	93.0 2.7	127.0 3.8
3	B	3	M6 25	M6 25	M6 25	M8 30 4
4	S W	3	M6	M6	M6	M8 4
5	N	3	M6 1	M6 1	M6 1	M8 1.25 4
6	E S	1				
7	B P V A	1	B			
8	B -B OR	1	59.0 3.0	75.0 3.0	75.0 3.0	109.5 4.3
9	B -T OR	1	67.5 2.7	93.5 2.7	93.5 2.7	128.5 6.3
10	E R M C	1				
11	B	1				
12	B -E OR	1	23.75 2.65	29.5 4.8	29.5 4.8	39.0 4.0
13	B R M C	1				
14	G S 1/8 NPT	1				
15	M	1				

OR S - I D C S D