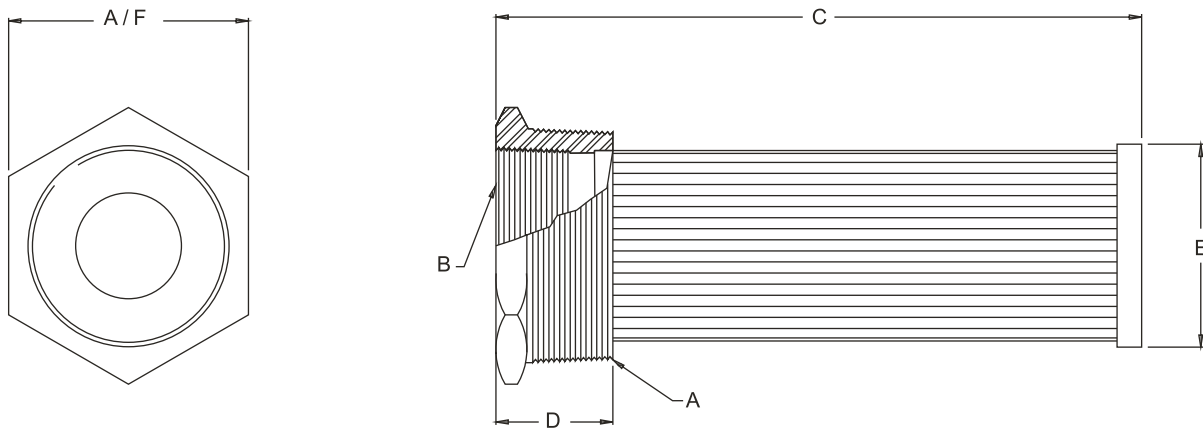


# TANK MOUNTED SERIES



- TANK MOUNTED REUSABLE STRAINER
- SIDE WALL OR TANK TOP MOUNTING
- FLOWS TO 100 GPM ( 400 LPM )
- STAINLESS STEEL PLEATED MEDIA
- 100 MESH ( 149 MICRON ) STANDARD
- M.S. / C.I. BUSHING



Series	Bushing Size Dim. A x Dim. B N.P.T	LPM / GPM Rating	Screen Area SQ. IN.	Dimensions			
				C	D	E	A / F
TMS - 003	3/4" x 3/8"	12 / 3	29	101	25	20	30
TMS - 005	1" x 1 / 2"	20 / 5	35	137	28	29	38
TMS - 010	1 - 1 / 4" x 3 / 4"	40 / 10	64	190	31	36	46
TMS - 015	1 - 1 / 2" x 1"	60 / 15	86	210	33	42	50
TMS - 025	2" x 1 - 1 / 4"	100 / 25	125	254	33	54	65
TMS - 050	3" x 2"	200 / 50	260	260	43	78	82
TMS - 100	4" x 3"	400 / 100	315	287	46	96	118
TMS - 200	6" x 4"	800 / 200	450	316	58	145	144

### MODEL CODE : ASSEMBLY

TMS	- 005	- ***	- 149	- RB3
SERIES	SIZE	NPT THD NORMS THD 'A' THD 'B'	MICRONS	OPTIONAL
TMS	003	06N 03N	149 - STD ( OMIT IF STD. )	RB3 - 3 P.S.I. BYPASS VALVE ( OMIT IF NOT REQ. )
	005	08N 04N		
	010	10N 06N		
	015	12N 08N		
	025	16N 10N	125/100/74/63 ( OPTIONAL )	
	050	24N 16N		
	100	32N 24N		
	200	48N 32N		

CONTACT FACTORY FOR OPTIONAL FEATURE

DIMENSIONS IN MM FOR REFERENCE ONLY